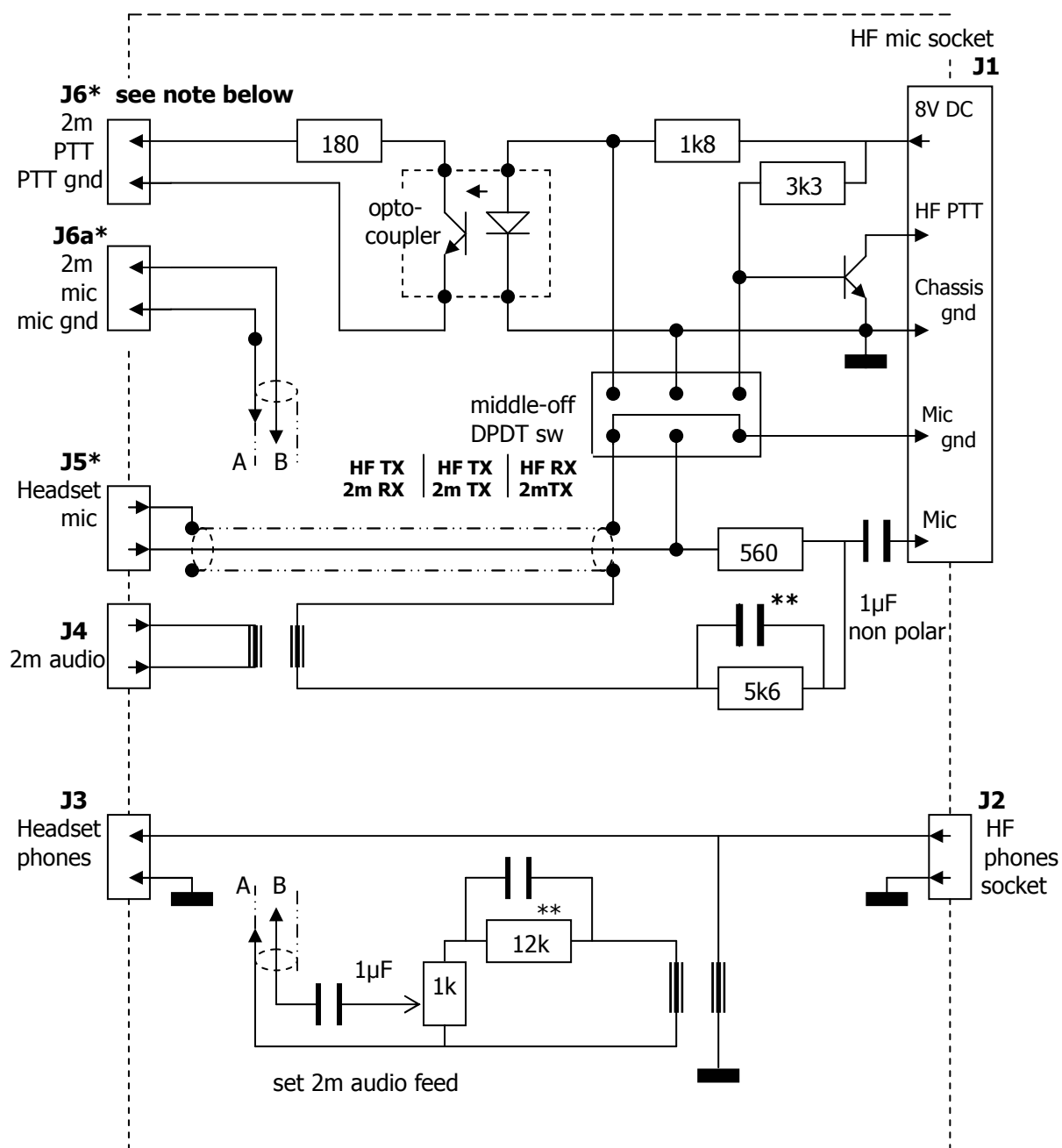


ZS6KR HF<+>VHF Patch Unit for Bulletins and Relays

Revised 3/2008



* Isolated from chassis ** treble compensation if required

- J1 : 8-pin mic socket
 - J2 : 6.35mm mono jack or RCA socket
 - J3 : 6.35mm stereo socket (L+R joined) with 15Ω 2W resistor switched in when jack removed
 - J4 : 3.5mm stereo socket (gnd not used)
 - J5 : 3.5mm mono socket (isolated from chassis)
 - J6 : 3.5mm stereo socket (isolated from chassis)
- Dotted line : Aluminium diecast box

It has been found that J6 and J6a can be combined on one single stereo plug using the mic ground as a ground return for PTT switching. "A" thus connects to the opto-coupler emitter which both become connected to the 2m mic ground. The 2m PTT ground is then not used.